

Avante Pulleys for Htd Size 5M & 8M Belts



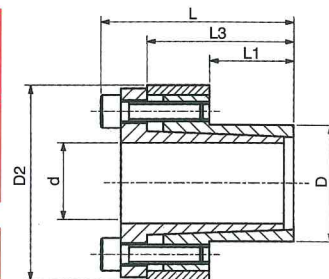
The Avante drive system combines the advantages of Shaft Clamping Elements with a standard range of Timing Belt Pulleys, providing a unique zero backlash connection between shafting and Timing Belt drive. Each HTD belt Pulley is finish bored to suit one size of Clamping Element of the ACE81 series, each of which is available with several metric bore sizes. The combination eliminates the need for keys, circlips or stepped shafts for Pulley location, and permits timing of the finished drive, and simple adjustment to the timing at latter times. The total lack of either rotary or axial free play makes the drives well suited to torque reversal and timing applications. Simple synchronisation of drives is achieved and the design enables quick easy assembly and removal of Pulleys on the shafting.

Avante Clamping Element dimensions

Clamping Element Size	Dimensions mm							Axial Strength F kN	Surface Pressure Hub N/mm ²	Clamping Screws			Approx Weight kg
	d max	D	D2	L	L1	L3	X			No	Size	Torque Nm	
ACE81 -x26	20	26	40.5	31.5	14	27.5	12	14.5	100	6	M4	5	0.22
ACE81 -x38	30	38	57.0	39	14	33	18	22	104	4	M6	17	0.32
ACE81 -x38H	30	38	57.0	52	27	46	18	33	81	6	M6	17	0.40
ACE81 -x52	42	52	70.5	52	27	46	18	44	79	8	M6	17	0.60
ACE81 -x72	60	72	96.5	68	37	60	18	105	99	10	M8	41	1.50

Standard bore sizes, with transmittable torques 'T'

ACE81 -x26	d mm	11	12	14	15	16	18	19	20
T Nm	80	87	102	108	116	130	138	145	
ACE81 -x38	d mm	19	20	22	24	25	28	30	
T Nm	210	220	242	265	276	309	331		
ACE81 -x38H	d mm	19	20	22	24	25	28	30	
T Nm	314	331	364	397	413	465	497		
ACE81 -x52	d mm	24	25	28	30	32	35	38	40
T Nm	529	552	618	662	706	772	839	883	926
ACE81 -x72	d mm	28	30	32	35	38	40	42	45
T Nm	1462	1567	1671	1828	1985	2089	2194	2350	2506
									50
									55
									60
									2506
									2611
									2872
									3133



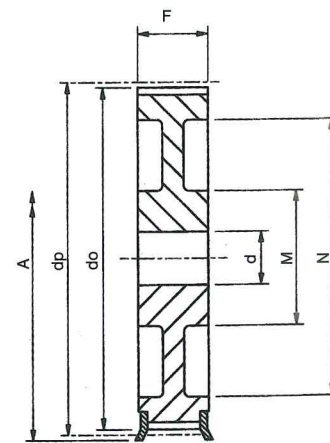
*The Clamping Element part No. combines the unit size with the bore size replacing the dash. e.g. a 24mm bored size 38H unit has part No. ACE81-24x38H and will fit all pulleys showing bush ref. -x38H

Standard Avante HTD Pulleys dimensions

Catalogue No.	No. Teeth Z	Pulley Type	ACE81 Bush Ref.	Pitch Circle Ø dp	Outside Ø do	Flange Ø A	Pulley Width F	Pulley Bore Ø db	Hub Ø db	Rim Ø N	C/Bore Ø C	C/Bore Depth E	Approx. Weight kg
5mm Pitch Pulleys for 9mm Wide Belts. Ref. 5M09													
A24-5M-09	24	4F	-x26	38.20	37.1	43	14.5	26	-	-	-	-	0.06
A26-5M-09	26	4F	-x26	41.38	40.2	44	14.5	26	-	-	-	-	0.08
A28-5M-09	28	4F	-x26	44.56	43.4	48	14.5	26	-	-	-	-	0.11
A30-5M-09	30	4F	-x26	47.75	46.6	51	14.5	26	-	-	-	-	0.13
A32-5M-09	32	4F	-x38	50.93	49.8	56	14.5	38	-	-	-	-	0.09
A36-5M-09	36	4F	-x38	57.30	56.2	60	14.5	38	-	-	-	-	0.15
A40-5M-09	40	4F	-x38	63.66	62.5	70	14.5	38	-	-	-	-	0.22
A44-5M-09	44	4	-x38	70.03	68.9	-	14.5	38	-	-	-	-	0.27
A48-5M-09	48	4	-x38	76.39	75.3	-	14.5	38	-	-	-	-	0.35
A60-5M-09	60	4	-x38	95.49	94.4	-	14.5	38	-	-	-	-	0.63
A72-5M-09	72	4	-x38	114.59	113.5	-	14.5	38	-	-	-	-	0.98
5mm Pitch Pulleys for 15mm Wide Belts. Ref. 5M15													
A24-5M-15	24	4F	-x26	38.20	37.1	43	20.5	26	-	-	-	-	0.08
A26-5M-15	26	4F	-x26	41.38	40.2	44	20.5	26	-	-	-	-	0.11
A28-5M-15	28	4F	-x26	44.56	43.4	48	20.5	26	-	-	-	-	0.15
A30-5M-15	30	4F	-x26	47.75	46.6	51	20.5	26	-	-	-	-	0.18
A32-5M-15	32	4F	-x38	50.93	49.8	56	20.5	38	-	-	-	-	0.12
A36-5M-15	36	4F	-x38	57.30	56.2	60	20.5	38	-	-	-	-	0.21
A40-5M-15	40	4F	-x38	63.66	62.5	70	20.5	38	-	-	-	-	0.30
A44-5M-15	44	4	-x38	70.03	68.9	-	20.5	38	-	-	-	-	0.38
A48-5M-15	48	4	-x38	76.39	75.3	-	20.5	38	-	-	-	-	0.50
A60-5M-15	60	4	-x38	95.49	94.4	-	20.5	38	-	-	-	-	0.90
A72-5M-15	72	4	-x38	114.59	113.5	-	20.5	38	-	-	-	-	1.39
5mm Pitch Pulleys for 25mm Wide Belts. Ref. 5M25													
A24-5M-25	24	4F	-x26	38.20	37.1	43	30.5	26	-	-	-	-	0.12
A26-5M-25	26	4F	-x26	41.38	40.2	44	30.5	26	-	-	-	-	0.16
A28-5M-25	28	4F	-x26	44.56	43.4	48	30.5	26	-	-	-	-	0.21
A30-5M-25	30	4F	-x26	47.75	46.6	51	30.5	26	-	-	-	-	0.26
A32-5M-25	32	4F	-x38H	50.93	49.8	56	30.5	38	-	-	-	-	0.17
A36-5M-25	36	4F	-x38H	57.30	56.2	60	30.5	38	-	-	-	-	0.30
A40-5M-25	40	4F	-x38H	63.66	62.5	70	30.5	38	-	-	-	-	0.44
A44-5M-25	44	4	-x38H	70.03	68.9	-	30.5	38	-	-	-	-	0.57
A48-5M-25	48	4	-x38H	76.39	75.3	-	30.5	38	-	-	-	-	0.74
A60-5M-25	60	4	-x38H	95.49	94.4	-	30.5	38	-	-	-	-	1.33
A72-5M-25	72	4	-x38H	114.59	113.5	-	30.5	38	-	-	-	-	* 2.07
8mm Pitch Pulleys for 20mm Wide Belts. Ref. 8M20													
A22-8M-20	22	4F	-x38H	56.02	54.7	62	28.0	38	-	-	-	-	0.23
A24-8M-20	24	4F	-x38H	61.12	59.8	66	28.0	38	-	-	-	-	0.33
A26-8M-20	26	4F	-x38H	66.21	64.9	71	28.0	38	-	-	-	-	0.43
A28-8M-20	28	4F	-x38H	71.30	70.1	75	28.0	38	-	-	-	-	0.55
A30-8M-20	30	4F	-x52	76.39	75.1	82	28.0	52	-	-	-	-	0.45
A32-8M-20	32	4F	-x52	81.49	80.2	87	28.0	52	-	-	-	-	0.59
A34-8M-20	34	4F	-x52	86.58	85.2	91	28.0	52	-	-	-	-	0.73
A36-8M-20	36	4F	-x52	91.67	90.3	98	28.0	52	-	-	-	-	0.88
A38-8M-20	38	4F	-x52	96.77	95.4	102	28.0	52	-	-	-	-	1.04
A40-8M-20	40	4F	-x52	101.86	100.5	110	28.0	52	-	-	-	-	1.21
A44-8M-20	44	4F	-x52	112.05	110.7	120	28.0	52	-	-	-	-	1.57
A48-8M-20	48	4F	-x52	122.23	120.9	128	28.0	52	-	-	-	-	1.97
A56-8M-20	56	3F	-x52	142.60	141.2	150	28.0	52	80	116	-	-	2.27
A64-8M-20	64	3F	-x52	162.97	161.6	168	28.0	52	80	137	-	-	2.86
A72-8M-20	72	3F	-x52	183.35	182.0	192	28.0	52	80	158	-	-	3.52
A80-8M-20	80	3	-x52	203.72	202.4	-	28.0	52	90	180	-	-	4.30
A90-8M-20	90	3	-x52	229.18	227.8	-	28.0	52	90	204	-	-	5.36
A112-8M-20	112	3	-x52	285.21	283.8	-	28.0	52	90	254	-	-	5.55

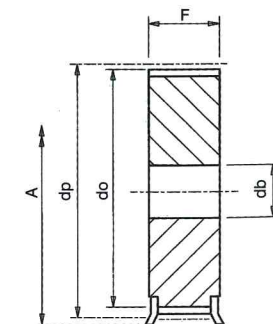
Pulley Types

Pulley types referred to in tables are as drawings below. Suffix 'F' indicates pulley has flanges. Pulley below dividing line in tables are manufactured in cast iron. Pulleys over 250mm dia. incorporate lightening holes in design.



Type 3/3F

Material: Steel or Cast Iron



Type 4/4F

Material: Steel or Cast Iron